

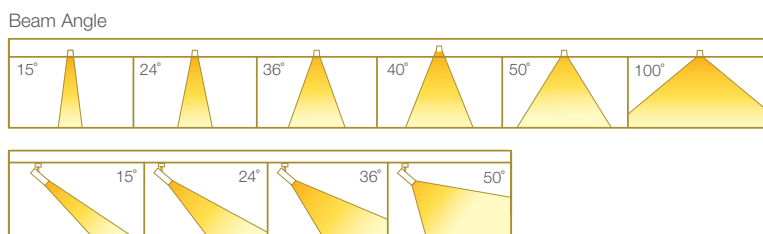
SPACE² LITE

MAGNETIC TRACK SERIES

A slimmer 48V powered extra low voltage magnetic track system that is modest yet utmost versatile. Space2 Lite magnetic track series includes a wider variety of luminaire selections that can be flexibly attached and positioned onto the track to obtain the optimum illumination for all kinds of spaces.



Module Colour Temperature Variation



Driver Dimming Variation



SPACE² LITE PENDANT tuneWHITE FIX

15W / 10W MAGNETIC TRACK TUNABLE WHITE LUMINAIRE

15W

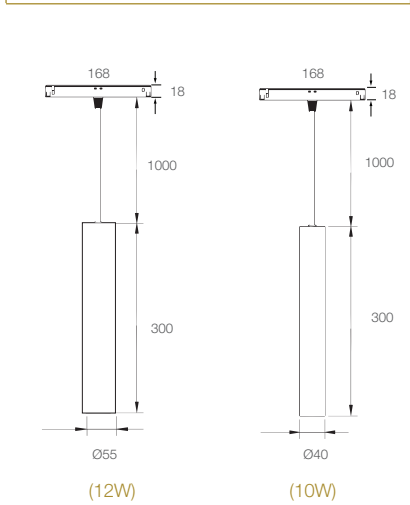
10W



AVAILABLE OPTIONS

DIMENSIONS (MM)

FIXTURE COLOUR OPTIONS	Trim Colour Options	MATT WHITE RAL9003	MATT BLACK RAL9011	CHROME GOLD
	MATT WHITE RAL9003 MATT BLACK RAL9011			
ACCESSORIES	<p>Honeycomb Anti-Glare Louvre</p>			
LED MODULE	tuneWHITE ProART			
DRIVER DIMMING				



SPECIFICATIONS

Family Type	Space ² Lite Series
Input Voltage	48V DC Constant Voltage
Input Power	15W, 10W
Lifetime	50,000 hours (80% lumen maintenance at Ta = 25°C), B10
Beam Angles	15°, 24°, 36°, 50°
Colour Temperatures	tuneWHITE 2700K - 5700K
CRI	ProART (CRI-95)
SDCM	3 steps MacAdam ellipse binning
Driver (Dimming)	DALI device type 8
Mains Connection	Magnetic track
Materials	Aluminium, plastic
Fire Safety	VW-1
Flammability Mark	F
Ingress Protection	IP40
Regulatory Markings	CE, CCC, RoHS

PHOTOMETRICS

SPACE2 LITE PENDANT tuneWHITE FIX

Height (m)	E(0°)	Emax (lx)				SPACE ² LITE PENDANT TW FIX 15W / 12W / 8W / 5W		Luminous Flux (lm)
		15°	24°	36°	50°	Input Power	CRI	tuneWHITE 2700K - 5700K 15°, 24°, 36°, 50°
1	E(0°)	7115	5311	2468	1369	15W	ProART CRI-95	1050
	Cone Ø (m)	0.35	0.44	0.68	0.92			
2	E(0°)	1779	1328	617	342	10W	ProART CRI-95	700
	Cone Ø (m)	0.70	0.89	1.35	1.85			
3	E(0°)	791	590	274	152	<small>Data are based on maximum output at highest CCT (6000K). 2700K will have a nominal data value of 10% lower than published. Nominal CRI-95, equals to Ra>90-97, R9>50</small>		
	Cone Ø (m)	1.05	1.33	2.03	2.77			
4	E(0°)	445	332	154	86			
	Cone Ø (m)	1.40	1.77	2.71	3.70			
5	E(0°)	285	212	99	55			
	Cone Ø (m)	1.75	2.22	3.38	4.62			

Correction Factor: SPACE² LITE PENDANT TW FIX 10W - f = 0.67

ORDERING MATRIX CHART

Type	Fixture				LED Module				Driver	
	Angle	Colour	Reflector Colour	Accessories	Input Power	Beam Angle	Colour Temp	CRI	Dimming	
SL-PENDANT	FX	Fix	WH Matt White	WH Matt White	N None	15 15W	15 15°	TW2757 tuneWHITE 2700K-5700K	PA ProART	DT8 DALI DT8
			MB Matt Black	MB Matt Black	AGL Anti-Glare Louvre	10 10W	24 24°			
			CG Chrome Gold			36 36°				
						50 50°				

example: SL-PENDANT.FX.MB.MB.N.10.15.TW2757.PA.DA